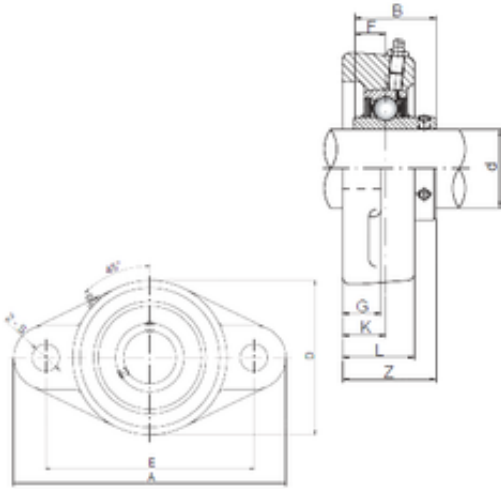




ISO UCFL310 bearing units

Bearing No. UCFL310



Bore Diameter	50 mm
d	50 mm
B	61 mm
Z	67 mm
A	240 mm
D	140 mm
E	187 mm
F	22 mm
G	19 mm
K	28 mm
L	48 mm
S	25 mm
Bolt (G)	M22

UCFL310 Bearing 2D drawings and 3D CAD models