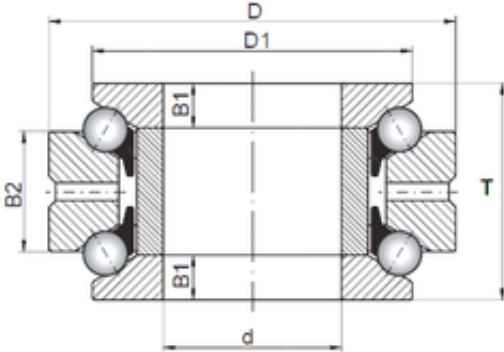




ISO 234738 thrust ball bearings



Bearing No. 234738

Size	197x290x120 mm
Bore Diameter	197 mm
Outer Diameter	290 mm
Width	120 mm
d	197 mm
D	290 mm
T	120 mm
B1	30 mm
B2	60 mm
D1	258 mm

234738 Bearing 2D drawings and 3D CAD models