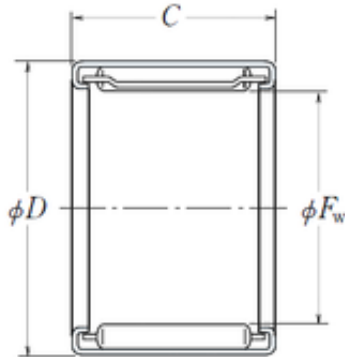




NSK FJ-1812 needle roller bearings



Bearing No. FJ-1812

Size	18x24x12 mm
Bore Diameter	18 mm
Outer Diameter	24 mm
Width	12 mm
Fw	18 mm
D	24 mm
C	12 mm
Weight	0,012 Kg
Basic dynamic load rating (C)	7650 kN
(Grease) Lubrication Speed	11000 r/min
NB-DI	0
NA-DEX	22.209
hidYobi	FJ-1812
LangID	1
D_	24
NC-SLR	7.21
B_	12.5
n_yobi	FIR-151812
hidTable	ecat_NSDCNR
mass_k	12
d1	15
GRS rpm	11000
ra	0.3
NC-SLR1	0
C0	9.585
C1	12

FJ-1812 Bearing 2D drawings and 3D CAD models



TZR Bearing Machine Development Co.,...

Prod_Type3	NRB_DC_FJ- MFJ_WC_OT
da	17
d	15
NC-RAC	0
Pmax	4200
N-SDM	0
yobi	FJ-1812
C1_C2	1
ND-Z	18
OIL rpm	18000
NC-DA	2.098
N-KBRG	8201
NC-KMS	18
B1	12.5