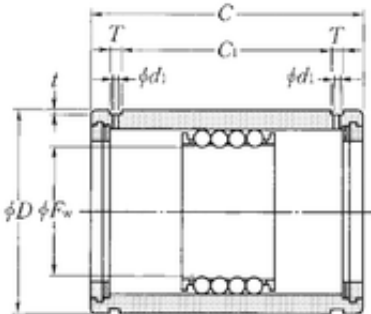




NTN KD5072100 linear bearings



Bearing No. KD5072100

Size	50x72x100 mm
Bore Diameter	50 mm
Outer Diameter	72 mm
Width	100 mm
Fw	50 mm
D	72 mm
C	100 mm
t	1 mm
d1	3 mm
C1	86,4 mm
T	3,2 mm
Weight	1 Kg
Basic dynamic load rating (C)	8,5 kN

KD5072100 Bearing 2D drawings and 3D CAD models